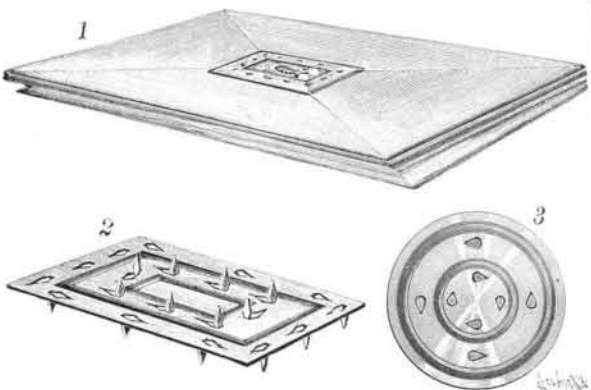


**Jamaica Ginger.**

Hidden away in a little official journal issued by the Jamaican government, which is probably seen by few but botanists, there is some interesting information about one of the chief export articles of the island—ginger. The Jamaican government has been somewhat troubled about the irregularity of the prices realized by this drug, and has set its tax collectors to inquire why the average price of the rhizome from the Manchester parish should be 16s. 8d. and that of the Westmoreland parish 60s. per cwt. The answers are generally that the want of care in the curing of the root is responsible for the low rates realized by much of the product. The green ginger, after scraping, should be kept from moisture, and daily exposed to the sun until it is perfectly hard: but these precautions are often neglected, the drug being dried while still immature, and put away damp into hags. Ratoon ginger is generally mildewed because it is harvested early in the season, when there is not yet enough constant sunshine available to enable the rhizome to be cured properly. The sharp, thin, narrow-bladed knives used for scraping—or, rather, paring—and peeling the ginger are specially imported for that purpose, and are known as ginger knives. When the rhizome has been scraped and peeled it is washed once or twice, and then dried on mats. In the Manchester district two varieties of ginger are grown—viz., yellow and blue—the former being the better grade. The name of "ratoon" ginger, which often puzzles dealers in this country, is applied to the root produced from the same piece of land after the first year's harvest has been garnered. These pieces of ginger (ratoons) left in the ground after the harvest are again dug up, season after season, until their market value falls below 16s. per cwt. locally, when they are no longer remunerative. The use of lime juice in washing ginger is condemned, as it is said invariably to cause mildew. An expert in ginger culture describes the industry as a curse to the island, which should be abandoned—the sooner the better. Virgin soil is in constant demand for ginger growing, but the exhausting effects of the crop on the soil and the wholesale destruction of valuable timber in forest land (fire being the only agent for cleaning up) can only be realized by visiting growing districts and observing the dried-up streams, the clearance by fire of thousands of pounds' worth of timber, and the impoverished soil, which will only grow ferns afterward. A howling wilderness marks the progress of ginger culture in every direction and £20 worth of ginger is the outcome of ten times the value of other material destroyed.—*Chemist and Druggist.*

**A METALLIC SEAL FOR ENVELOPES, ETC.**

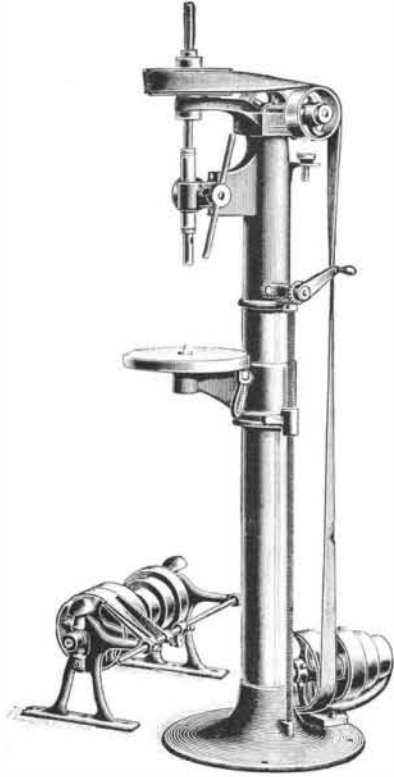
The device shown in the illustration affords an effective locking means whereby the contents of an envelope and the stamp may be so secured to the envelope that the latter cannot be opened or the contents tampered with without injury thereto. It has been patented by Mr. George F. Lemmon, of No. 32 N. Cleveland Avenue, Canton, Ohio. Fig. 1 shows the application of the improvement, and Fig. 2 one of the fastening plates, Fig. 3 representing another form of such plates, which are preferably made of aluminum or some light metal. Each plate has a series of prongs struck up and bent in reverse directions, the prongs at the outer edges projecting downward and an inner

**LEMMON'S FASTENER FOR ENVELOPES, ETC.**

series projecting upward, while there are grooves inside of each series of prongs. The prongs preferably have serrated edges, and the plates are usually employed in sets or pairs, two plates being clamped together, but having their prongs and grooves so arranged as to be alternately disposed when laid together. The inner plate is first secured by its prongs to the letter, and the latter with the outer prongs projecting is inserted in the envelope, to the rear side of which the prongs are clamped. The flap is then folded down, the other plate laid over the folded edge and in register with the inner plate, the stamp forced over the center outwardly projecting prongs, and the whole compactly pressed together in any suitable handpress. The plates thus used do not mar the face of the envelope, and the use of sealing wax, gum, etc., may be dispensed with.

**BURNHAM'S 13 INCH DRILL PRESS.**

Prominent among the many strong features of this excellent drill, which is made by the George Burnham Company, of Worcester, Mass., is the center shaft independent of and belting to the base of the drill, doing away with all jar or shaking caused by unevenness in the belt. This system imparts a perfectly steady motion to the spindle, and the belts being long, give great power while running quite loose. The tension of the belt is never on the spindle. The table can be brought to desired position by the screw, as shown in cut. The screw is No. 3, double thread, and

**13 INCH DRILL PRESS.**

gives a rapid motion to the table, which is free to swing either way. A bell center is provided for center drilling and reaming. The capacity and dimensions are as follows: Will drill a  $\frac{5}{8}$  inch hole to the center of a 13 inch circle,  $4\frac{1}{2}$  inches deep, without moving the table. Greatest distance from spindle to table, 36 inches. Table is  $11\frac{3}{4}$  inches in diameter. The drill has steel rack and pinion. The spindle is made of the best crucible steel and is reamed with Morse taper No. 1. Spindle is counter-balanced with a coiled spring which can be adjusted to any degree of sensitiveness. The column, which is  $4\frac{1}{2}$  inches in diameter, has a center line the entire length, and a pointer on the table arm will bring the center of the table exactly under center of spindle. They also manufacture a two spindle drill having two heads 10 inches apart, the size of the table being  $12 \times 22$  inches; and a three spindle drill with three separate heads 10 inches apart. The two outer spindles will drill to the center of a 22 inch circle and the middle one to the center of a 13 inch circle. The table is  $12 \times 32$  inches.

**Two Kinds of Memory.**

From careful observation and deliberate reflection upon the facts observed, the writer is convinced that there are at least two radically different forms of memory, neither of which is convertible by effort or education into the other; and that these forms of memory are seldom present in like degree in the same individual, one form in fact being often very feebly marked where the other is unusually prominent. In the early years of school life the child awakens to the fact that some members of his class have great facility for learning by rote; yet experience shows that these members are often distanced in the final examinations by competitors whose power of learning by rote is very slight; and still greater experience will often prove that these pupils of "rote" memory do not become the most useful or successful citizens. Every medical school, perhaps, boasts its professor whose "wonderful memory" enables him to roll out great strings of complicated therapeutical formulæ or to tell with a flourish on what side of a particular page and how far down its column a statement quoted is to be found. Yet this professor is very probably inferior in breadth of thought and in originality of practice to some colleague who occasionally in lecturing forgets even simple formulæ and confesses that names of authorities often slip his memory most unexpectedly.

It has been the fashion among educators, and with the public as well, to honor greatly the former sort of memory, giving prizes to the pupil who can learn by rote with the greatest facility. In fact, the histories and geographies of thirty years ago seemed to be specially constructed for showing off the merits of this form of memory. Even now the public feel a grudge toward the man who does not recognize the casual acquaintance of a week ago when he passes him on the

street. As far as can be judged by one who possesses this former sort of memory in very feeble degree, it is dependent upon a process, somewhat akin to photography, by which the details of objects presented to either the physical or the mental eye are fixed in outline upon the sensorium. Recollection consists in turning the mental gaze upon the photograph thus recorded. It is said of a certain artist, famous as an illustrator of books, that after driving through a park he could at will picture to himself the grouping and individual outlines of the trees which he had passed. The writer knows a little boy who, when about five years of age, would draw from memory a picture of a railway locomotive with details of outline which would be doubted by his elders until investigation proved that they represented minor portions of the engine. Other instances of the development of this "photographic" memory *pari passu* with the earliest unfoldings of a child's perceptive powers will occur to the observant reader.

The second form of memory may be termed "logical." It appears less brilliant to the casual looker-on. It is apparently developed later; not because it is not, like the other, inborn in the structure of the mind, but because the reasoning faculty is developed more slowly than physical sight. Compared with "photographic" memory, it has *color*, which sometimes obscures detail of outline. The possessor of "logical" memory places little value upon naked facts or figures, but appropriates such as have important bearings, which can be perceived, upon other facts of known value. In moments of leisure his mind is engaged, not in roving at random over the impressions of the past, but rather in working out the relations between certain isolated things observed and deducing conclusions from these relations. These abstract processes of thought make him inattentive to many details in his present surroundings which would be impressed upon a "photographic" memory. As reflection is a higher faculty than observation, so the "logical" must be superior to the "photographic" memory. This becomes evident also if we compare the man of "logical" memory, who has well founded opinions of his own, with the man of "photographic" memory who can give only the opinions of other persons, or the mature historian with the small-talk conversationalist.

Both varieties of memory should be cultivated, for the best memory is that in which both are present in due proportion; but the average mind does not, in its original constitution, embrace both in equal degree. It is obviously unfair to punish the school child who possesses a well developed "logical" memory because he has not equal "photographic" perceptions; and it is unjust to brand the man of "logical" memory, who offers fine reasoning powers and stores of well-ordered facts of value, as one who has "a miserable memory," simply because he occasionally overlooks unimportant details.—*N. Y. Med. Jour.*

**IMPROVED TEA AND COFFEE STRAINER.**

The simple little device shown in the illustration has many points to recommend it, and its usefulness cannot fail to be recognized at a glance. It is attached to the spout of a tea or coffee pot by simply pressing the thumb pieces together, and can be readily adjusted upon a spout of any size. It does not drip to soil the linen, and its sieves are easily removed for cleaning. The clamp for coffee or pitcher nose spout is a slight variation from the one shown in the illustration, and these novelties have been patented. They are manu-

**IMPROVED TEA AND COFFEE STRAINER.**

factured by the Standard Strainer Company, No. 36 Maiden Lane, New York City, in nickel and silver plate and in solid silver.

**The Pasteur Institute.**

The annals of the Pasteur Institute for the year 1893 have just been published. They show that last year 1,648 persons were treated for hydrophobia, and that only six of them died of that disease. Of the number mentioned, there were 1,470 French people and 178 foreigners. Among the foreigners were 48 Spaniards, 35 Greeks, 23 English, 22 Belgians, 18 Egyptians, 14 British subjects from India, 9 Swiss, 9 Dutch, and 6 Portuguese. Since M. Pasteur commenced to practice his inoculations against hydrophobia 14,430 persons have been treated by his method, and 72 have died of the disease.