

Indispensable to Lumbermen, Farmers and Mechanics. TWENTIETH THOUSAND. JUST READY: HANDBOOK OF USEFUL TABLES



FOR THE Lumberman, Farmer and Mechanic.

Containing directions for finding the interest on any sum at 4, 5, 6, 7 and 8 per cent. Tables of Interest at 6 per cent. Wages per Month and Week, Board or Rent per Week, Board, Scantling and Plank Measure, Cubic Contents of Square and Round Timber, Cubic Contents of Round Timber when Squared, Logs reduced to inch Board Measure, Standard Contents of Logs, Wood Measure in Load and Pile, Cost of Wood, Cost of Lumber, Weight of grains per Bushel, Contents of Granaries, Bins, etc., Capacity of Cisterns, Weight of Seasoned Lumber per 1,000 feet, Weight of Solids per Cubic Foot, Liquors per Gallon, Wood per Cord, Length of Nails and Number in a Pound, and other Valuable Tables, besides Miscellaneous and Useful Information, etc. In one volume, 32mo. boards, 188 pages. Price, 25 Cents.

Our Catalogue of Practical and Scientific Books, 96 pages, 8vo., and our other Catalogues and Circulares, the whole covering every branch of Science applied to the Arts, sent free and free of postage to any one in any part of the world who will furnish his address.

HENRY CAREY BAIRD & CO., INDUSTRIAL PUBLISHERS, BOOKSELLERS & IMPORTERS, 810 Walnut Street, Philadelphia.

One Volume, thick 8vo., cloth, 777 pages, 148 illustrations and five folding plates. Price, \$12.50.

THE Theory of Stresses IN GIRDERS and SIMILAR STRUCTURES, WITH PRACTICAL OBSERVATIONS ON THE STRENGTH AND OTHER PROPERTIES OF MATERIALS.

BY BINDON B. STONEY, LL.D., F.R.S. Member of the Institution of Civil Engineers.

New edition, revised, with numerous additions on Graphic Statics, Pillars, Steel, Wind Pressure, Oscillating Stresses, Working Loads, Riveting, Strength and Tests of Materials.

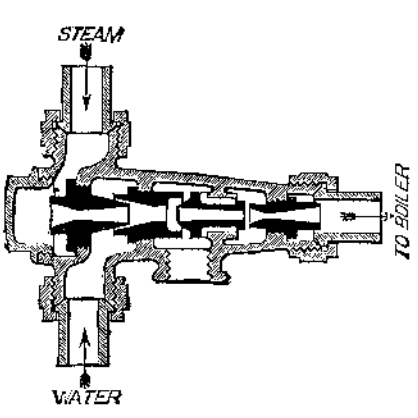
D. VAN NOSTRAND, Publisher, 23 Murray and 27 Warren Sts., New York.

IT PAYS To sell our Rubber Stamps. Free Catalogue to agents. FOLJ AMBE & Co., Cleveland, O.



SMALL STEAM YACHTS. Steam Launches, Marine Engines and Boilers, and Propeller Wheels. Send for free Illustrated Catalogue. CHAS. P. WILLARD & CO., 282 Michigan St., CHICAGO.

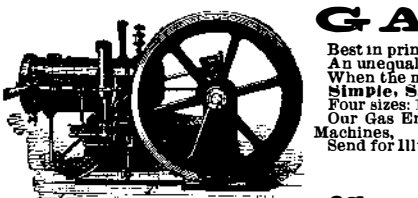
ROOFING for Buildings of every description. Durable, Light, Easily Applied, Inexpensive. BUILDING PAPER - Sankett's Waterproof Sheathing. Clean to Handle, Impervious to Moisture, Water, and Gases. NEW YORK COAL TAR CHEMICAL CO., 10 Warren St., N. Y.



THE NEW "GRESHAM" PATENT Automatic Re-Starting Injector.

Invaluable for use on Traction, Farm, Portable, Marine, and Stationary Engines of all kinds. No Handles required. Water Supply very difficult to break. Capability of restarting immediately, automatically, after interruption to feed from any cause. Reliable and Cheap.

Sole Manufacturers in the United States and Canada, Nathan Manufacturing Co., 92 & 94 LIBERTY ST., NEW YORK. SEND FOR CATALOGUE.



GAS ENGINES.

Best in principle, workmanship, and materials. An unequalled small Motor adapted to all uses. When the motor is not at work, the expense of running it ceases. Simple, Safe, Economical, Durable. No extra insurance. Four sizes: 1 H. P., 1/2 H. P., 1 man power, and a Sewing Machine Motor. Our Gas Engines will work satisfactorily when attached to Gasoline Machines. Send for Illustrated Catalogue.

ECONOMIC MOTOR CO., Office and Salesrooms, 9 CORTLANDT ST., NEW YORK.

NEW YORK BELTING AND PACKING CO. Oldest and Largest Manufacturers in the United States of

Vulcanized Rubber Fabrics ADAPTED TO MECHANICAL PURPOSES. RUBBER BELTING, PACKING, AND HOSE, CORRUGATED Mats and Matting, and Stair Treads, &c.

BICYCLE TIRES, CAR SPRINGS. JOHN H. CHEEVER, Treas. New York Belting and Packing Co., JOHN D. CHEEVER, Dep't Treas. Warehouse, 15 Park Row, opp. Astor House, N. Y. Branches: 808 Chestnut Street, Phila., 167 and 169 Lake Street, Chicago, and 52 and 54 Summer Street, Boston.

TO CLOCK CONTRACTORS. The proprietor of a valuable invention for the uniformly correct time keeping of railway and ordinary clocks, and for compensation against vibration from railway traffic, is open to treat for the sale of the American patent. The English, Belgian, French and German patents are being successfully worked in Europe, and promise to become a standard system. Address E. M. HILL, Esq., Solicitor, 2 Old Serjeant's Inn, London, England.

The most successful Lubricator for Loose Pulleys in use. VAN DUZEN'S PATENT LOOSE PULLEY OILER. Highly recommended by those who have used them for the past two years. Price very reasonable. Every user of machinery should have our "Catalogue No. 55" sent free. VAN DUZEN & TIFT, Cincinnati, O.

THE CAMERON STEAM PUMP. STANDARD OF EXCELLENCE. 30,000 IN USE. ADAPTED TO EVERY POSSIBLE DUTY. The A. S. CAMERON STEAM PUMP WORKS, Foot East 23d St., New York.

810 Orguinettes 86. Roll Music Reduced. Catalogue FREE. MAGIC LAMPERS WANTED: also FOR SALE, HARBACH ORGAN CO., Phila., Pa.

FOREIGN PATENTS. Their Cost Reduced.

The expenses attending the procuring of patents in most foreign countries having been considerably reduced the obstacle of cost is no longer in the way of a large proportion of our inventors patenting their inventions abroad.

CANADA.—The cost of a patent in Canada is even less than the cost of a United States patent, and the former includes the Provinces of Ontario, Quebec, New Brunswick, Nova Scotia, British Columbia, and Manitoba.

The number of our patentees who avail themselves of the cheap and easy method now offered for obtaining patents in Canada is very large, and is steadily increasing.

ENGLAND.—The new English law, which went into force on Jan. 1st, 1885, enables parties to secure patents in Great Britain on very moderate terms. A British patent includes England, Scotland, Wales, Ireland and the Channel Islands. Great Britain is the acknowledged financial and commercial center of the world, and her goods are sent to every quarter of the globe. A good invention is likely to realize as much for the patentee in England as his United States patent produces for him at home, and the small cost now renders it possible for almost every patentee in this country to secure a patent in Great Britain, where his rights are as well protected as in the United States.

OTHER COUNTRIES.—Patents are also obtained on very reasonable terms in France, Belgium, Germany, Austria, Russia, Italy, Spain (the latter includes Cuba and all the other Spanish Colonies), Brazil, British India, Australia, and the other British Colonies.

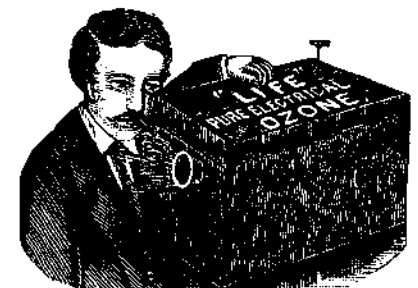
An experience of FORTY years has enabled the publishers of THE SCIENTIFIC AMERICAN to establish competent and trustworthy agencies in all the principal foreign countries, and it has always been their aim to have the business of their clients promptly and properly done and their interests faithfully guarded.

A pamphlet containing a synopsis of the patent laws of all countries, including the cost for each, and other information useful to persons contemplating the procuring of patents abroad, may be had on application to this office.

MUNN & CO., Editors and Proprietors of THE SCIENTIFIC AMERICAN, cordially invite all persons desiring any information relative to patents, or the registry of trade-marks, in this country or abroad, to call at their offices, 361 Broadway. Examination of inventions, consultation, and advice free. Inquiries by mail promptly answered.

Address, MUNN & CO., Publishers and Patent Solicitors, 361 Broadway, New York. BRANCH OFFICES: No. 622 and 624 F Street, Pacific Building, near 7th Street, Washington, D. C.

Advertisement for Peter Henderson & Co. seeds and plants. 'Half a Million Gardens' supplied with seeds and plants. Peter Henderson & Co., 35 & 37 Cortlandt St., New York.



ELECTRICAL OZONE.—The only known remedy for Catarrh. The fetid atmosphere of sick rooms, &c., made pure and sweet in six to eight minutes. Send for Illustrated Price List to T. J. YOST, 169 William Street, New York.

STEAM ENGINES. Horizontal and Vertical. Dredging Machinery, Flour, Powder, Slate and Flint Mill Machinery, Turbine Water Wheels. York Mfg Co., York, Pa., U. S. A.

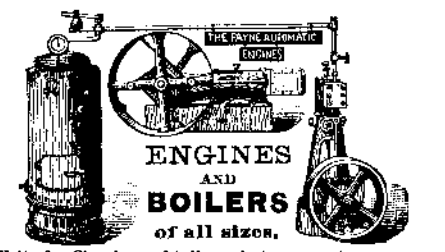
A BIG OFFER. To introduce them, we will give away 1,000 Self-Operating Washing Machines. If you want one send us your name, P. O. and express office at once. The National Co., 23 Dey St. N. Y.

SHEPARD'S NEW 360 Screw-Cutting Foot Lathes. Foot and Power Lathes, Drill Presses, Scroll-saw Attachments, Chucks, Mandrels, Twist Drills, Hoes, Calipers, etc. Lathes on trial, lathes on payment. Send for catalogue of Outfits for Amateurs or Artisans. Address H. L. Shepard, Agent, 134 E. 2d St., Cincinnati, O.

An Engineer's Field Book. PRICE 25 CENTS. Address ENGINEERING NEWS PUBLISHING CO., TRIBUNE BUILDING, NEW YORK.

The New Catalogue of Valuable Papers contained in SCIENTIFIC AMERICAN SUPPLEMENT, sent free of charge to any address. MUNN & CO., 361 Broadway, N. Y.

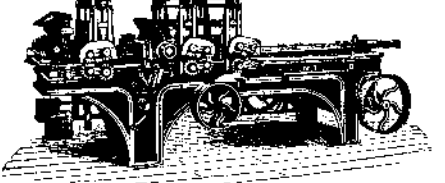
Advertisement for Moss Engraving Co. 'Largest Photo-Engraving Establishment in the World'. Moss Engraving Co., 535 Pearl St., New York. Superior to any other method.



Write for Circular and tell us what you want. B. W. PAYNE & SON, Drawer 1004, Elmira, N. Y. Or address our New York Office. Eastern Agents, HILL, CLARKE & CO., Boston, Mass. Our patented Vertical Boiler will not prime. No danger of burning fuel.

Especially for MILLERS' PACKING. Unequaled for water for all pumps, in all sizes, 1/2", 3/4", 1", 1 1/2", 2", 3", 4", 6", 8", 10", 12", 14", 16", 18", 20", 24", 30", 36", 42", 48", 60", 72", 84", 96", 108", 120", 144", 168", 192", 216", 240", 270", 300", 324", 360", 400", 450", 500", 540", 600", 660", 720", 780", 840", 900", 960", 1000". All quantities, \$1.25 most substantial ever put together! none out—add a room for it. MILLER PACKING CO., 138 Buttonwood St., Philadelphia, Pa., U. S. A.

WANTED An active Man or Woman in every county to sell our goods. Salary \$75 per Month and Expenses. Canvassing outfit and particulars FREE. STANDARD SILVERWARE CO., Boston, Mass.



WITHERBY, RUGG & RICHARDSON, Manufacturers of Patent Wood Working Machinery of every description. Facilities unsurpassed. Shop formerly occupied by E. Ball & Co., Worcester, Mass. Send for Catalogue.

ENGINEER'S POCKET BOOK. BY Charles H. Haswell, Civil, Marine, and Mechanical Engineer. Giving Tables, Rules, and Formulas pertaining to Mechanics, Mathematics, and Physics, Architecture, Masonry, Steam Vessels, Mills, Limes, Mortars, Cements, etc. 486 pages, leather, to cloth-bound form. Price \$4. This valuable work will be sent on receipt of price by MUNN & CO., New York.

2 1/2c. PULLEYS 4c. ORDER FROM OUR "SPECIAL LIST." THE ROUGH John T. Noye Mfg. Co. FINISHED BUFFALO, N. Y.

FREE TRIAL.—NERVITA speedily cures all effects of youthful errors. Nervous Debility, Involuntary Losses, Lost Manhood, and kindred affections. package 12 cents postage. Free at office. Dr. A. G. OLLIN CO., 190 E. Washington St., Chicago.

CURE FOR THE DEAF PECK'S PATENT IMPROVED CUSHIONED EAR DRUMS. Restores the Hearing, and perfects the natural drum. Irrevocable, comfortable and always in position. All conversation and even whispers heard distinctly. Send for illustrated book with testimonials, FREE. Address F. HISCOX, 883 Broadway, N. Y.

FREE TO MEN Who suffer from Nervous Debility, Lost Vigor, Exhausted Vitality, etc. A FREE TRIAL PACKAGE Of the celebrated MARSTON BROTHERS' together with sealed Testimonials and Testimonials, will be sent on receipt of 2 stamps. MARSTON BROTHERS, 46 West 14th Street, New York.

PILES. Instant relief. Final cure in 10 days, and never returns. No purge, no salve, no suppository. Sufferers will learn of a simple remedy, free, by addressing C. J. MARSON, 78 Nassau St., N. Y.

TO WEAK MEN suffering from the effects of youthful errors, early decay, lost manhood, etc. I will send a valuable treatise (sealed) containing full particulars for home cure, free of charge. Address Prof. F. C. FOWLER, Moodus, Conn.

MEN ONLY. A Quick, Permanent Cure for Lost Manhood, Debility, Nervousness, Weakness. No quackery. Indisputable Proofs. Book sent sealed, free. ERIC MED. CO., BUFFALO, N. Y.

WEAK MEN! Whose VITALITY is falling, Brain DRAINED and EXHAUSTED or Power PREMATURELY WASTED may find a perfect and reliable cure in the FRENCH HOSPITAL FOR DEAFNESS, originated by Prof. JEAN CIVILIAE, of Paris, France. Adopted by all French Physicians and being rapidly and successfully introduced here. All weakening losses and drains promptly checked. TREATING giving newspapers and medical endorsements, c. FREE. Consultation (office or by mail) with six eminent doctors FREE. CIVILIAE AGENCY, No. 174 Fulton Street, New York.

DYKES' HEARD MIXTURE. Fourteen Invaluable Men. Whiskers, or hair on bald heads: 20 to 30 days. Extra Strength, Quick, Safe, Pure. No other remedy. 2 or 3 Page, 3000 words. Will prove it or forfeit \$100.00. Price per box, with directions sealed and postpaid \$2.00. 2 for 3.00. 3 for 4.00. 4 for 5.00. 5 for 6.00. 6 for 7.00. 7 for 8.00. 8 for 9.00. 9 for 10.00. 10 for 11.00. 11 for 12.00. 12 for 13.00. 13 for 14.00. 14 for 15.00. South Mfg. Co., Patented, Ill.

PATENTS. MESSRS. MUNN & CO., in connection with the publication of THE SCIENTIFIC AMERICAN, continue to examine improvements, and to act as Solicitors of Patents for Inventors. In this line of business they have had forty one years' experience, and now have unequalled facilities for the preparation of Patent Drawings, Specifications, and the prosecution of Applications for Patents in the United States, Canada, and Foreign Countries. Messrs. Munn & Co. also attend to the preparation of Caveats, Copyrights for Books, Labels, Reissues, Assignments, and Reports on Infringements of Patents. All business intrusted to them is done with special care and promptness, on very reasonable terms. A pamphlet sent free of charge, on application, containing full information about Patents and how to procure them; directions concerning Labels, Copyrights, Designs, Patents, Appeals, Reissues, Infringements, Assignments, Rejected Cases, Hints on the Sale of Patents, etc. We also send, free of charge, a Synopsis of Foreign Patent Laws, showing the cost and method of securing patents in all the principal countries of the world. MUNN & CO., Solicitors of Patents, 361 Broadway, New York. BRANCH OFFICES:—No. 622 and 624 F Street, Pacific Building, near 7th Street, Washington, D. C.