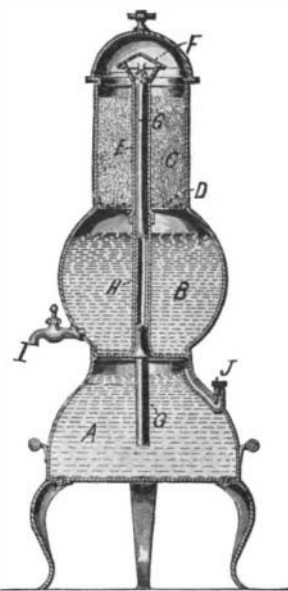




AN IMPROVED COFFEE URN.

Pictured in the accompanying engraving is a coffee urn arranged to distribute water under steam pressure over the coffee, and permit it to percolate therethrough into the coffee pot, where it is maintained near, but always slightly below, the boiling point. The urn is so arranged that it may be taken apart and thoroughly cleaned. It consists essentially of three receptacles, which are placed one above the other. The lower receptacle *A* is filled with water, the receptacle *B* serves as the coffee pot, while the ground coffee is placed in the container *C*. The container *C* is formed with a perforated bottom *D*, and its upper end is closed by means of a dome-shaped cover. Running up through the center of the receptacle *C* is a tube *E*, which is provided with a hood *F* at the upper end. Fitted in the tube *E* is a second tube *G*, which extends through the coffee pot and into the boiler *A*. A tube *H* in the coffee pot surrounds the tube *G*, and its upper end fits snugly into the expanded lower end of the tube *E*. The coffee pot is provided with a faucet *I*, through which the coffee may be drawn off. In operation an alcohol lamp is placed under the urn, and when the water begins to boil, the steam forces it up through the tube *G* against the hood *F*, and thence into the receptacle *C*. The boiling water percolates through the ground coffee, and falls into the chamber *B*. It will be evident that the temperature of the coffee in the receptacle *B* will always be maintained under the boiling point. The boiler *A* is provided with a vent at one side, which is closed by a plug *J*. Ordinarily, it is advisable to unscrew this plug slightly, so as to permit the steam to escape and prevent the water from being forced through the tube too rapidly. However, to prepare the coffee quickly, the vent may be sealed by screwing the plug in tightly. If it is desired to stop the operation of the coffee urn, the plug *J* is removed, to let the steam flow out freely. The inventor of this coffee urn is Mr. E. C. Dalleine, of 7 East 40th Street, New York city.

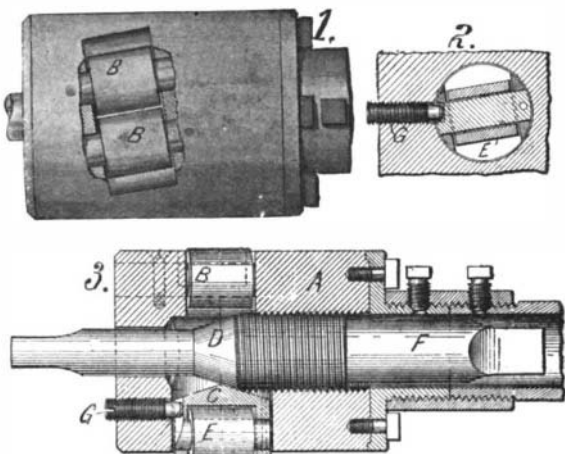


IMPROVED COFFEE URN.

through the tube *G* against the hood *F*, and thence into the receptacle *C*. The boiling water percolates through the ground coffee, and falls into the chamber *B*. It will be evident that the temperature of the coffee in the receptacle *B* will always be maintained under the boiling point. The boiler *A* is provided with a vent at one side, which is closed by a plug *J*. Ordinarily, it is advisable to unscrew this plug slightly, so as to permit the steam to escape and prevent the water from being forced through the tube too rapidly. However, to prepare the coffee quickly, the vent may be sealed by screwing the plug in tightly. If it is desired to stop the operation of the coffee urn, the plug *J* is removed, to let the steam flow out freely. The inventor of this coffee urn is Mr. E. C. Dalleine, of 7 East 40th Street, New York city.

BOILER-TUBE CLEANER.

The boiler-tube cleaner which is illustrated herewith is adapted to be expanded within a boiler flue so as to crack off the scale. The device is particularly adapted for use in vertical flues so that the scale will fall to the bottom of the boiler. As shown in the sectional view, the device consists of a head *A* provided with a recess in which are journaled two rollers *B*. The rollers are preferably disposed at an angle to the axis of the head. Directly beneath these rollers is a second recess adapted to receive a block *C*, in which a roller *E* is journaled. The inner surface of the block *C* is conical in form and is adapted to engage a tapered surface *D* on a needle *F*, which projects axially through the head *A*. A portion of the needle is threaded in the head *A*, so that when a wrench is applied to the squared ends of the needle the latter may be fed inward to force the block *C* outward. To prevent the block *C* from turning when the needle is



BOILER-TUBE CLEANER.

operated a screw *G* is provided, the inner end of which engages a keyway or slot in the block. In operation the device is inserted in a boiler flue just beyond the flue sheet, after which the needle *F* is turned by means of a monkey wrench, thereby forcing the roller *E* outward and virtually expanding the cleaner. The rollers *B* and *E* are disposed at such an angle, with reference to the axis of the head, as to permit of readily moving the cleaner through the boiler flue, as the head is rotated. The rollers will then crack off the scale as the head is fed into the flue. Mr. Willis E. Frazee, of Vergas, Minn., is the inventor of this boiler flue cleaner.

Restriction in Trade-Mark Registration.

BY PERRY B. TURPIN.

In the exercise of its appellate jurisdiction over the Patent Office, the Court of Appeals of the District of Columbia has recently handed down several important decisions affecting trade-mark registration.

Three of these decisions are especially noteworthy in that the first decides what are goods of the same class from a trade-mark standpoint; the second decision relates to the inclusion in a registration with matter registrable *per se* of non-registrable matter; while the third decision relates to descriptive marks and to what can and cannot be registered.

The first decision referred to above, being that of *Walter Baker & Company, Limited, vs. Harrison*, was decided December 22nd, 1908. In this case Mr. Justice Van Orsdel, after holding that the marks were the same, decided that coffee and cocoa are goods of the same descriptive properties. In the decision the court said:

"Things may be said to possess the same descriptive properties when they can be applied to the same general use."

Again it says:

"A mark should be denied, not only when used upon goods of the same descriptive properties as a similar registered mark, but when used on goods belonging to the same general class."

This case went up to the court on appeal from a decision of the Commissioner sustaining a demurrer to the opposition, and the court reversed the Commissioner's decision and has taken a stand, as to the similarity of goods, far in advance of that heretofore occupied by the Patent Office.

The second decision is in the case of *Johnson & Brandan*, rendered January 5th, 1909. In this case the applicant presented for registration a mark "having the descriptive word (Asbestos) printed in large letters across, and partly obscuring the figure of the ass. This was also an opposition case, and Mr. Chief Justice Shepard said:

"The word Asbestos is clearly descriptive of the goods manufactured by each party."

In sustaining the demurrer the Patent Office Examiner thought that there was other matter in the mark, as applied for, far more striking than the word Asbestos, and the Commissioner of Patents regarded the word Asbestos "merely as a descriptive and subordinate feature of the applicant's trade mark."

The court, however, said:

"The applicant deliberately selected and carefully designated the trade mark having the descriptive word printed in large letters across and partly obscuring the figure of the ass. He thereby made it an actual and permanent feature of his trade mark."

Thereupon the court expressed the opinion that the Commissioner should have denied registration, as claimed, giving the applicant at the same time an opportunity to amend by omitting the objectionable word.

The third case decided, February 2nd, 1909, by Mr. Justice Van Orsdel, in *re Central Consumers Company*. This was an appeal from the decision of the Commissioner of Patents refusing to register the word "Nextobeer" as a trade mark for a non-intoxicating malt beverage, and the court affirmed the Commissioner's decision, saying:

"It requires no stretch of the imagination to understand how the public would at once draw the inference it is manifestly intended it should draw from the use of this mark, that the beverage on which it is used is almost the same as beer, or a good substitute for beer, or possesses almost the same ingredients and qualities as beer."

Further on, the court aptly says:

"It was not intended that the mark should lend value to the goods, but that the quality of the goods and the reputation of the owner should ultimately make the mark valuable as a symbol in the connection in which it may be used."

Now these three decisions are of importance to producers operating under trade marks, the enormous value of which is well understood, in that they teach:

First, the necessity of avoiding the adoption of a mark owned by another and used "on goods belonging to the same general class."

Second, that the application for registration should not include a non-registrable word or symbol with one that is registrable in itself; and

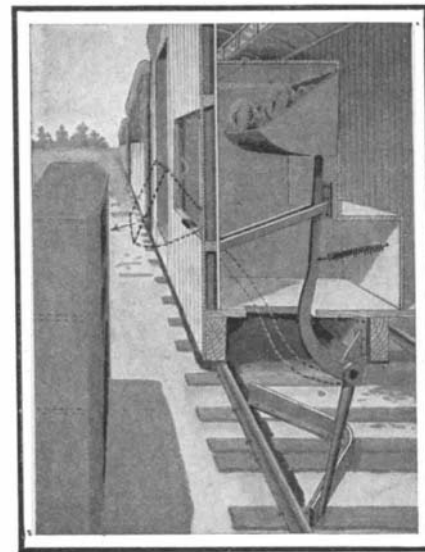
Finally, that the mark should not be descriptive of the character or quality of the goods upon which it is used. If the trade mark be a word, Mr. Justice Van Orsdel says, it should not possess:

"An inherent significance that would of itself enhance the sale or value of the article to which it may be applied."

While it will be seen the action of the court tends to restrict trade-mark registration, it also operates to enhance the real value of registration in cases properly entitled thereto.

DELIVERY APPARATUS FOR MAIL CARS.

A simple apparatus for delivering mail bags or similar packages from a moving train is shown in the accompanying engraving. The arrangement is such as to deliver the article without a violent shock or blow. A housing is placed adjacent to the track to receive the bag and the apparatus acts automatically to throw the bag into the housing while the

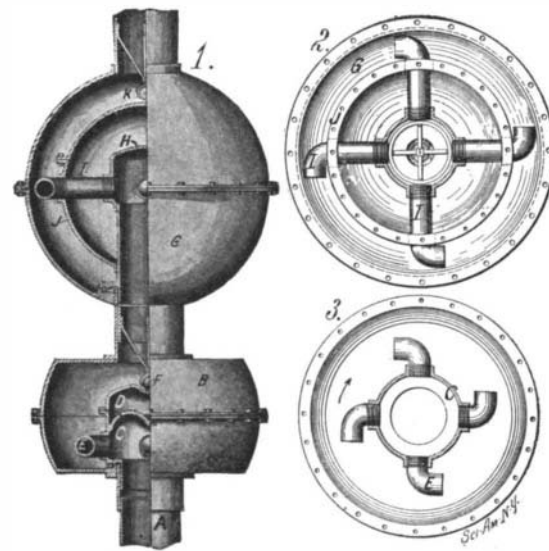


DELIVERY APPARATUS FOR MAIL CARS.

train is passing. Our illustration shows a train with the mail car partly broken away to reveal the details of the delivering apparatus. In the car there is a compartment, access to which is had through a lid at the top. At the upper end of the compartment is a holder carried by a lever which passes through the floor of the car and is fulcrumed to the sill below. The other arm of the lever projects downward and is adapted to engage an operating rail secured to the ties. The lever is held in normal vertical position by a spring, but when it strikes the operating rail, which is curved away from the adjacent track rail, it is swung on the fulcrum, throwing the holder through an opening in the side of the car to the position indicated by dotted lines in the engraving. This serves to pitch the contents of the holder into the housing. The mail bag slides along a slideway in the housing and drops into a compartment at the end. There is a compartment at each end of the slideway so as to receive the mail from trains running in either direction. A patent on this invention has recently been secured by Mr. Henry Hoffman, 4608 South Broadway, St. Louis, Mo.

BACK-PRESSURE REDUCER.

The mechanism illustrated herewith is particularly adapted for use with blowers, pumps, standpipes, and like devices, through which a flow of liquid is maintained, and its object is to provide means for bal-



BACK-PRESSURE REDUCER.